

MCRA series

ROTARY ACTUATOR



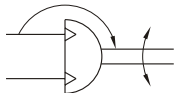
Features:

- Body size made more compact than ever.
- Functional design and clean appearance.
- Rail type mounting allows switch position to be adjusted very easily.

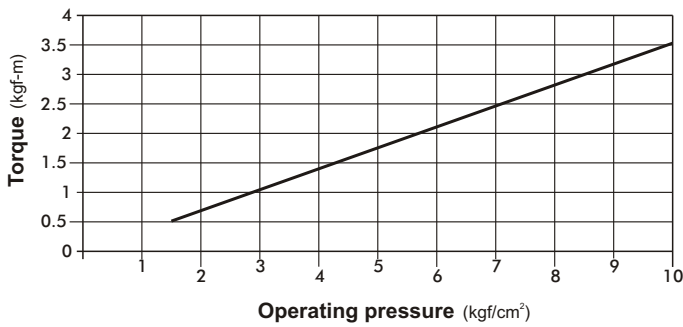
Specification:

Model	MCRA		
Acting type	Double acting		
Tube I.D. (mm)	φ 63		
Port size Rc(PT)	PT 1/8		
Medium	Air		
Operating pressure range	1~9.9 kgf/cm ²		
Proof pressure	15 kgf/cm ²		
Ambient temperature	- 5~+ 60°C (No freezing)		
Acting angle tolerance	0~+ 4°		
Lubrication	Not required		
Cushion	NBR ring		
Sensor switch	RCB, RCE, RCE1		
Weight (kg)	90°	180°	LB
	2.7	3.1	0.4

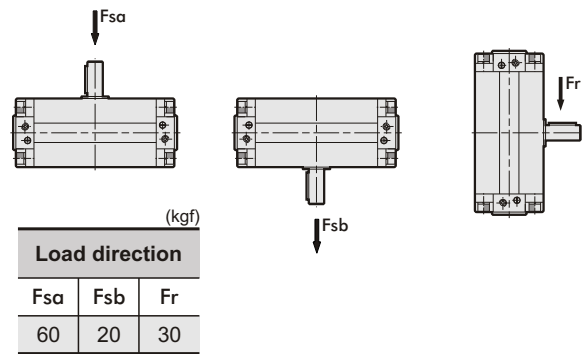
Symbol:



Torque diagram:



Shaft loading :



Order example:

MCRA — 63 — 90 — LB — BSP

MODEL

TUBE I.D.

MOUNTING TYPE

ROTARY ANGLE

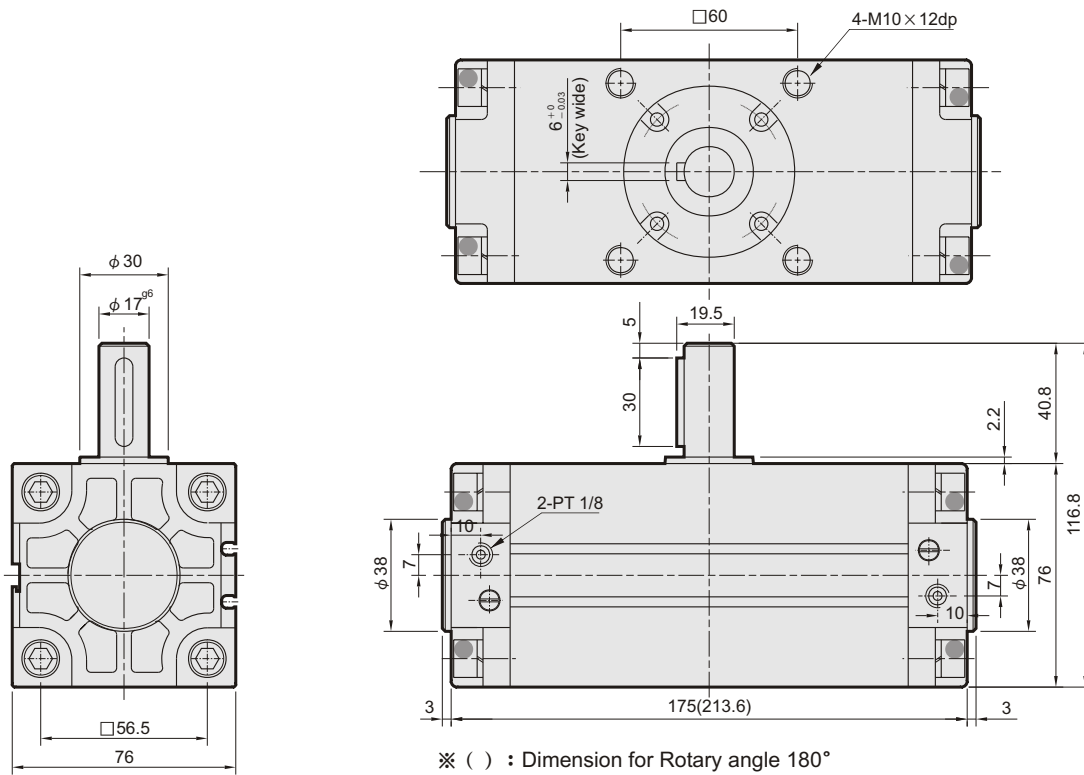
Code	Rotary angle
90	90 °
180	180 °

	Blank
	LB

PORT THREAD
Blank: PT thread
BSP: BSP thread
NPT: NPT thread

MCRA $\phi 63$

ROTARY ACTUATOR



LB

